

Introducing

FLEX-J

**FLEXIBLE
J CHANNEL**



NEW! From

EXTRUDEX

Excellence in Custom Extrusion

FleX-J

FLEXIBLE J-CHANNEL

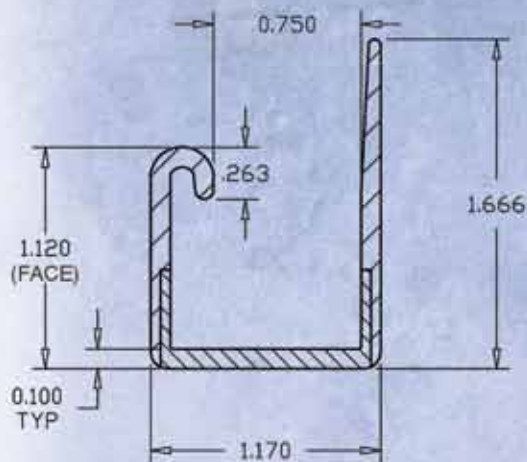
ENGINEERED TO BE THE BEST!

The **EXTRUDEX FleX-J's** unique design and material selection sets it apart from the competition.

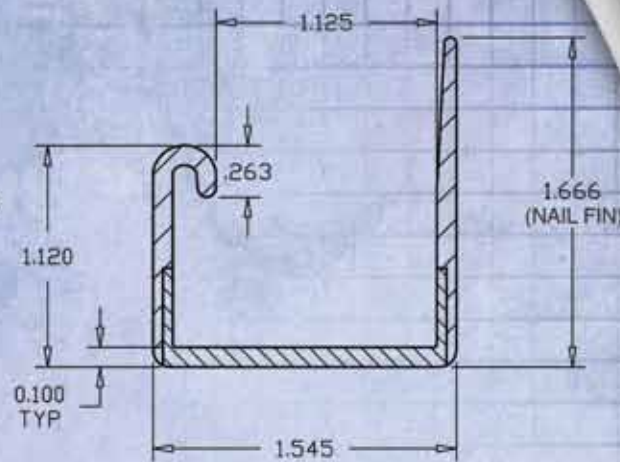
UNIQUE FEATURES:

- A true 1" face – largest available!
- The combination of (97 and 80 Shore-A FPVC) makes the **EXTRUDEX FleX-J** the most stable Flexible J-Channel while providing the flexibility required for easy installation.
- Enhanced design feature that extends the semi-rigid 97 durometer material partially up both the Face and Nail Fin, allowing the **EXTRUDEX FleX-J** to hold its shape around tight radii and thus reducing the possibility of deforming the 1" face during installation.
- Two available sizes: 3/4" and 1 1/8" provide proper fit with siding...limits distortion associated with "one-size fits all".
- Only Flexible J-Channel offered with "Curled-Over" Top on the Face side. A unique feature that provides the same professional finish found with rigid J-Channels.
- Longest nail flange (1.67") available...the nailing fin is tapered ensuring the ease of installation.
- Highest level of UV Inhibitor and Fungicide for any Flexible J-Channel in the industry.

3/4" FleX-J Channel



1 1/8" FleX-J Channel



Shipping Information

Pieces/Carton	12	20
Carton Size	150x3.75hx5w	150x3.75hx7.75w
Lineal Feet/Carton	150	250
Shipping Weight/ctn	12pk=.75=38#/ 1.125=43#	20pk=.75=58#/ 1.125=73#
Delivery Time	5 working days for stock items	
FOB: Painesville, OH	44077	

EXTRUDEX
Excellence in Custom Extrusion

310 Figgie Road, Painesville, Ohio 44077
(440) 352-7101 Fax: (440) 352-3146
Email: info@extrudex.net Web: www.extrudex.net